



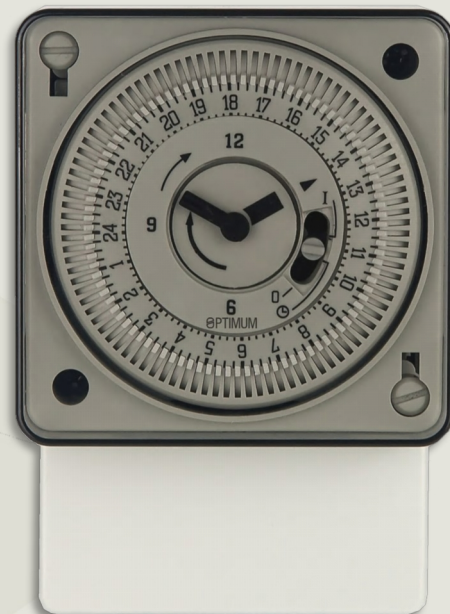
PRODUCT DATA

OP-TS111.1

24 HOUR SYNCHRONOUS
TIME SWITCH

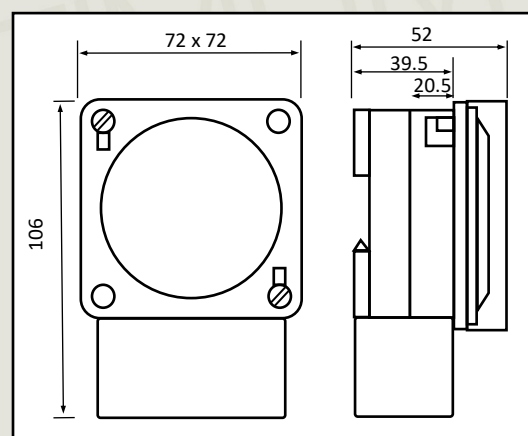
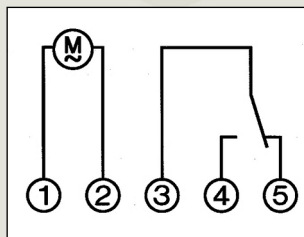
SURFACE, PANEL, DIN-RAIL
MOUNTING

VOLT-FREE CHANGEOVER
SWITCHING



OP-TS111.1 IS A CAPTIVE-TAPPET 24-HOUR TIME SWITCH. EACH TAPPET OPERATES FOR 15 MINUTES. THE TIMER IS SUITABLE FOR SURFACE, PANEL AND DIN-RAIL MOUNTING. THE 24 HOUR DIAL CONTROLS A VOLT-FREE CHANGEOVER SWITCH, WITH A RESISTIVE RATING OF 16 AMPERES.

DIMENSIONS	106 x 72 x 52 (see drawing below)
CONNECTIONS	5 X WIRE-PROTECT SCREW TERMINALS
WEIGHT	160g
POWER CONSUMPTION	1vA @ 230V 50Hz
RESISTIVE LOAD	16 AMPERES
INDUCTIVE LOAD	8 AMPERES (cos ϕ 0.6)
MINIMUM LOAD	100mA @ 20v AC/DC
TEMPERATURE RATING	-20T55
ACCURACY	MAIN SYNCHRONISED (typically +/- 2.5 sec / day)
MINIMUM SWITCHING	15 MINUTES
MANUAL OVERRIDE	FIX ON / TIMED / FIX OFF



OPTIMUM



Cert No: RS 30178
QR057

TFC GROUP, TOWER HOUSE, VALE RISE, TONBRIDGE, KENT TN9 1TB

Tel: 01732 351680 www.tfc-group.co.uk

Prepared for TFC Group By: M. Edmonston

Issue 2: Oct 2019

Page 1 of 1