



OPTIMUM

PRODUCT DATA

OP-SBDIGI

7 DAY DIGITAL TIME SWITCH

SOCKET-BOX MOUNTING

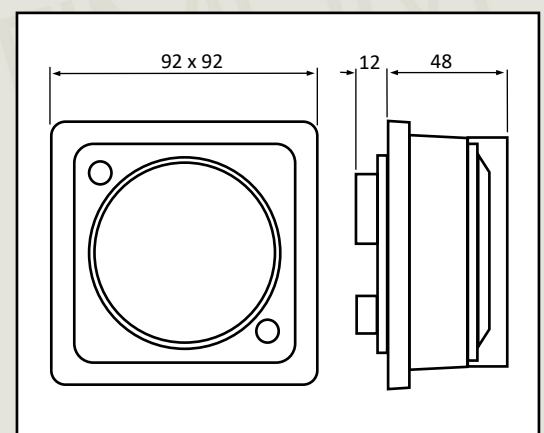
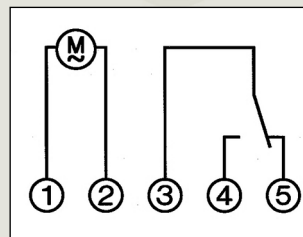
VOLT-FREE CHANGEOVER

SWITCHING



OP-SBDIGI IS A DIGITAL 24-HOUR / 7 DAY TIME SWITCH. MINIMUM SWITCHING TIME 1 MINUTE. THE TIMER IS SUITABLE FOR INSTALLATION ON A SURFACE OR IN-WALL PAT-TRESS BOX. THE TIMER CONTROLS A VOLT-FREE CHANGEOVER SWITCH, WITH A RESISTIVE RATING OF 16 AMPERES.

DIMENSIONS	(see drawing below)
CONNECTIONS	5 X WIRE-PROTECT SCREW TERMINALS + EARTH PARK
WEIGHT	160g
POWER CONSUMPTION	1vA @ 230V 50Hz
RESISTIVE LOAD	16 AMPERES
INDUCTIVE LOAD	4 AMPERES (cos Ø 0.6)
MINIMUM LOAD	100mA @ 20v AC/DC
RUNNING RESERVE	2 Months +
TEMPERATURE RATING	-20T55
ACCURACY	QUARTZ REGULATED (typically +/- 2.5 sec / day)
MINIMUM SWITCHING	1 MINUTE
MANUAL OVERRIDE	FIX ON / TIMED / FIX OFF



OPTIMUM



Cert No: RS 30178
QR057

TFC GROUP, TOWER HOUSE, VALE RISE, TONBRIDGE, KENT TN9 1TB

Tel: 01732 351680 www.tfc-group.co.uk

Prepared for TFC Group By: M. Edmonston

Issue 1: Sept 2018

Page 1 of 1