

PRODUCT DATA SHEET

110 1070 & 1071

1070—24 HOUR

1071— 7 DAY TIME SWITCH

DIN RAIL MOUNTING

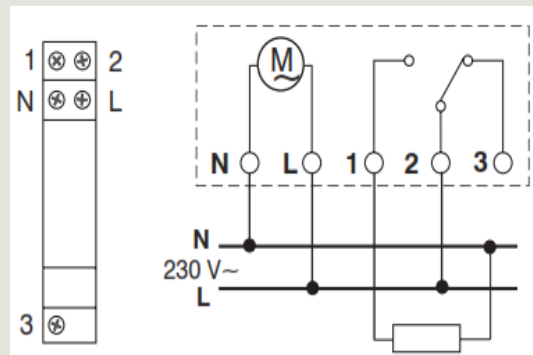
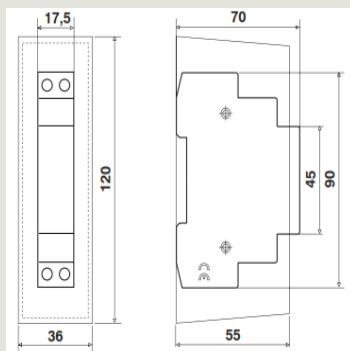
VOLT FREE CHANGEOVER CONTACTS

16 (2) AMPERE CONTACT RATING



The Perry Electric 1070 & 1071 time switches are Din-rail mounted digital timers, with 24 hour (1070) and seven-day (1071) programming, featuring mechanical tappet-style programming with individual or day grouping capability. The timers operate a volt-free change-over contact, rated at 16 amperes resistive, 2 amperes inductive. The real-time display will automatically adjust for the summer-winter time change.

DIMENSIONS	17.5 x 60 x 90 (see drawing below)
CONNECTIONS	5 X WIRE-PROTECT CAPTIVE SCREW TERMINALS
WEIGHT	120g
RESISTIVE (INDUCTIVE) LOAD	16 (2) AMPERES
LIGHTING LOADS	INCANDESCENT: 2300W; UNCOMPENSATED FLUORESCENT: 1000W PARALLEL FLUORESCENT WITH 70uF COMPENSATION: 500W COMPACT FLUORESCENT: 600W
TEMPERATURE RATING	T50
ACCURACY	+/- 0.5 sec / day
MINIMUM SWITCHING	1 SECOND
MANUAL OVERRIDE	ADVANCE OR FIXED ON / OFF
AUTO SUMMER-WINTER	YES
BATTERY BACK-UP	15 DAY NiMH RECHARGEABLE CELL



EXCLUSIVELY BY

