



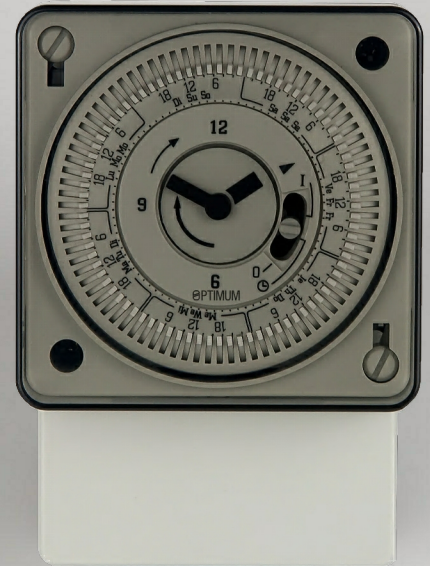
## PRODUCT DATA

### OP-TS171.1

7 DAY SYNCHRONOUS  
TIME SWITCH

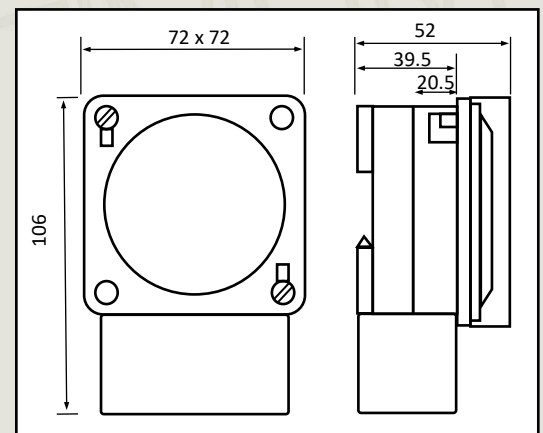
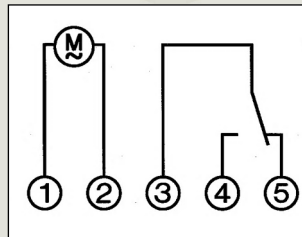
SURFACE, PANEL, DIN-RAIL  
MOUNTING

VOLT-FREE CHANGEOVER  
SWITCHING



OP-TS171.1 IS A CAPTIVE-TAPPET 7-DAY TIME SWITCH. EACH TAPPET OPERATES FOR 2 HOURS. THE TIMER IS SUITABLE FOR SURFACE, PANEL AND DIN-RAIL MOUNTING. THE 7 DAY DIAL CONTROLS A VOLT-FREE CHANGEOVER SWITCH, WITH A RESISTIVE RATING OF 16 AMPERES.

DIMENSIONS	106 x 72 x 52 (see drawing below)
CONNECTIONS	5 X WIRE-PROTECT SCREW TERMINALS
WEIGHT	160g
POWER CONSUMPTION	1vA @ 230V 50Hz
RESISTIVE LOAD	16 AMPERES
INDUCTIVE LOAD	8 AMPERES (cos $\phi$ 0.6)
MINIMUM LOAD	100mA @ 20v AC/DC
TEMPERATURE RATING	-20T55
ACCURACY	MAIN SYNCHRONISED (typically +/- 2.5 sec / day)
MINIMUM SWITCHING	2 HOURS
MANUAL OVERRIDE	FIX ON / TIMED / FIX OFF



OPTIMUM



Cert No: RS 30178  
QR057

TFC GROUP, TOWER HOUSE, VALE RISE, TONBRIDGE, KENT TN9 1TB

Tel: 01732 351680 [www.tfc-group.co.uk](http://www.tfc-group.co.uk)

Prepared for TFC Group By: M. Edmonston

Issue 2: Oct 2019

Page 1 of 1