



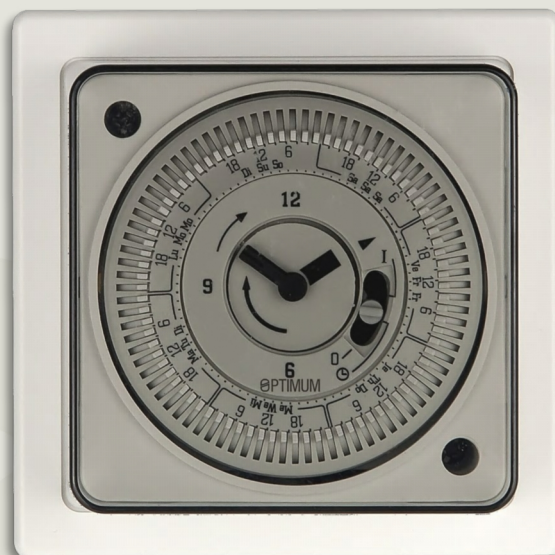
PRODUCT DATA

OP-SBSW

7 DAY SYNCHRONOUS
TIME SWITCH

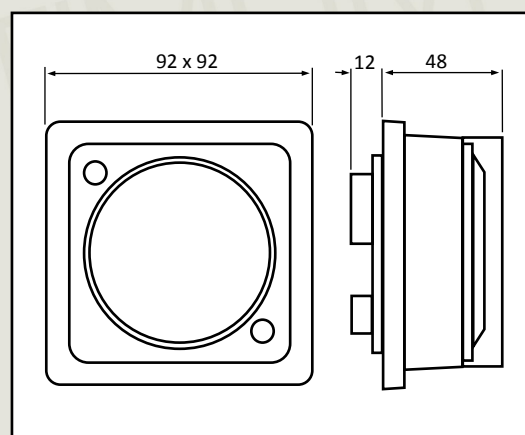
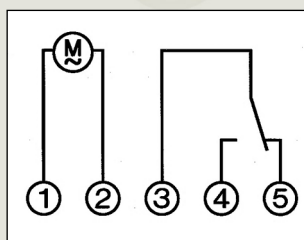
SOCKET-BOX MOUNTING

VOLT-FREE CHANGEOVER
SWITCHING



OP-SBSW IS A CAPTIVE-TAPPET 7 DAY TIME SWITCH. EACH TAPPET OPERATES THE OUTPUT FOR A PERIOD OF 2 HOURS. THE TIMER IS SUITABLE FOR INSTALLATION ON A SURFACE OR IN-WALL PATRESS BOX. THE 7 DAY DIAL CONTROLS A VOLT-FREE CHANGEOVER SWITCH, WITH A RESISTIVE RATING OF 16 AMPERES.

DIMENSIONS	(see drawing below)
CONNECTIONS	5 X WIRE-PROTECT SCREW TERMINALS + EARTH PINK
WEIGHT	160g
POWER CONSUMPTION	1vA @ 230V 50Hz
RESISTIVE LOAD	16 AMPERES
INDUCTIVE LOAD	8 AMPERES (cos ϕ 0.6)
MINIMUM LOAD	100mA @ 20v AC/DC
TEMPERATURE RATING	-20T55
ACCURACY	MAIN SYNCHRONISED (typically +/- 2.5 sec / day)
MINIMUM SWITCHING	2 HOURS
MANUAL OVERRIDE	FIX ON / TIMED / FIX OFF



OPTIMUM



Cert No: RS 30178
QR057

TFC GROUP, TOWER HOUSE, VALE RISE, TONBRIDGE, KENT TN9 1TB

Tel: 01732 351680 www.tfc-group.co.uk

Prepared for TFC Group By: M. Edmonston

Issue 1: Sept 2018

Page 1 of 1